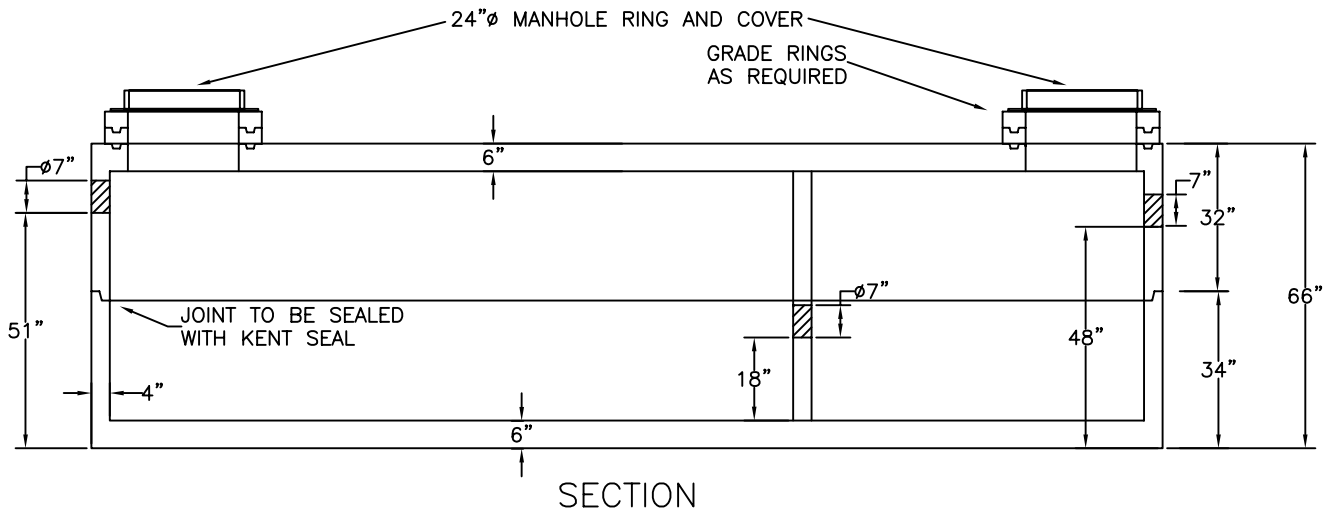
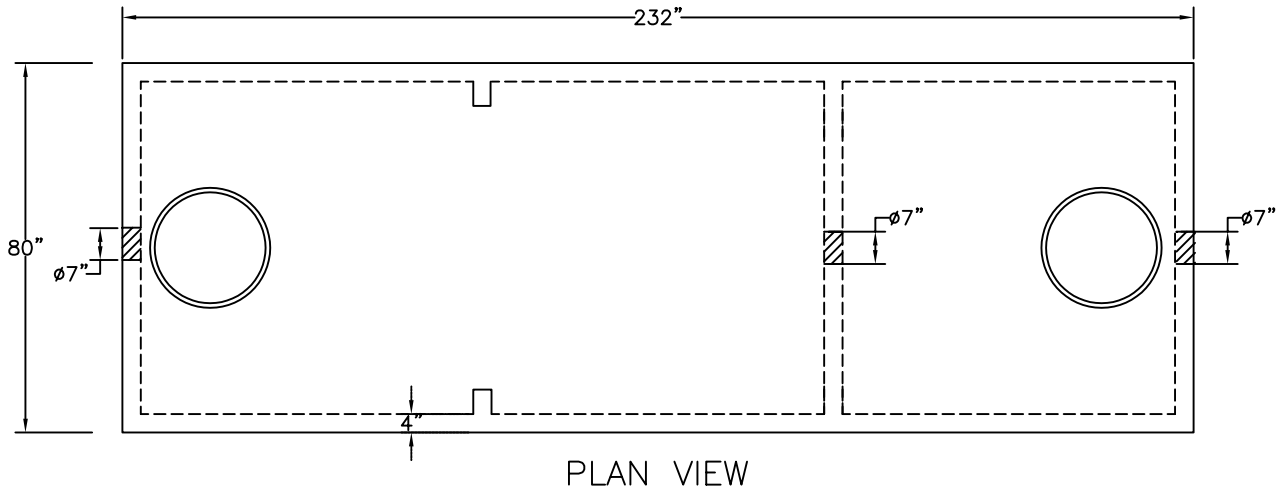


MANHOLE PIPE • DRAINAGE INLETS • STORM WATER/OIL INTERCEPTORS • UTILITY VAULTS & BOXES • CUSTOM PRECAST

(530) 243-2562
FAX (530) 243-6881
www.cookconcreteproducts.com
e-mail:
Info@cookconcreteproducts.com

5461 EASTSIDE ROAD
P.O. BOX 720280
REDDING, CA 96099



- Designed for HS-20 highway loading.
- Designed for 0 to 8 ft of cover.
- Penetration sizes and locations can be placed as required.
- Wt. per section 20,500 LBS.
- 3 compartment tank available as storm water interceptor.
- Outlet boxes available, separate item.
- Also available in 1250, 1500, 2000, 4000, and 5000 gallon capacities.

3,000 GALLON GREASE INTERCEPTOR