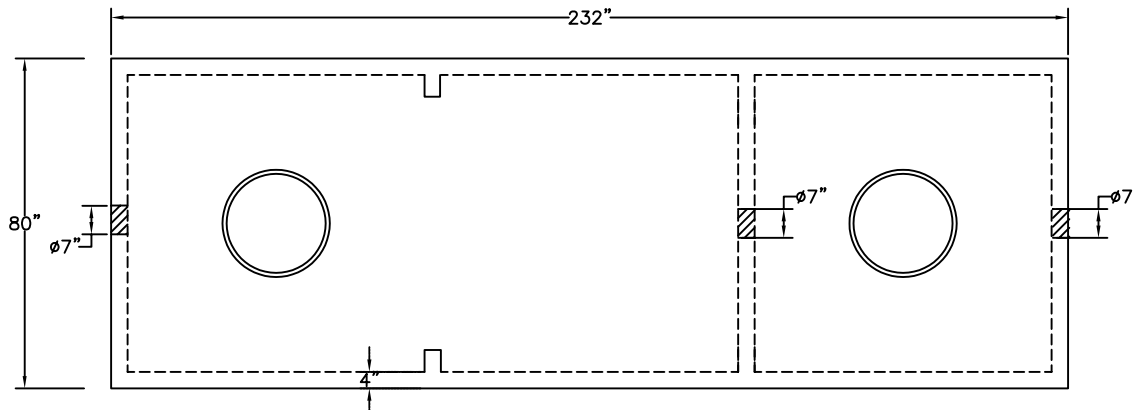
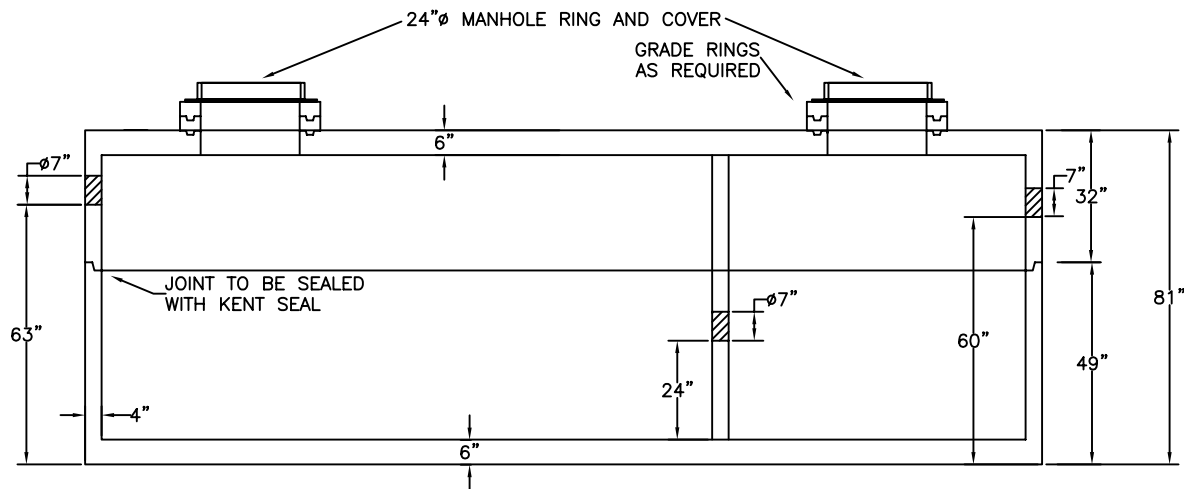


(530) 243-2562
 FAX (530) 243-6881
 www.cookconcreteproducts.com
 e-mail:
 Info@cookconcreteproducts.com

5461 EASTSIDE ROAD
 P.O. BOX 720280
 REDDING, CA 96099



PLAN VIEW



SECTION

- Designed for HS-20 highway loading.
- Penetration sizes and locations can be placed as required.
- Wt. per section 20,500 LBS.
- 3 compartment tank available as storm water interceptor or grease interceptors.
- Outlet boxes available, separate item.
- Also available in 1250, 1500, 2000, 3000, and 5000 gallon capacities.

CUSTOMER:
SYSTEM:
WT TOP HT. 16,120
WT BTM HT. 20,500
DRAWN / /08

4,000 GALLON GREASE INTERCEPTOR