

# COOK CONCRETE PRODUCTS, INC.

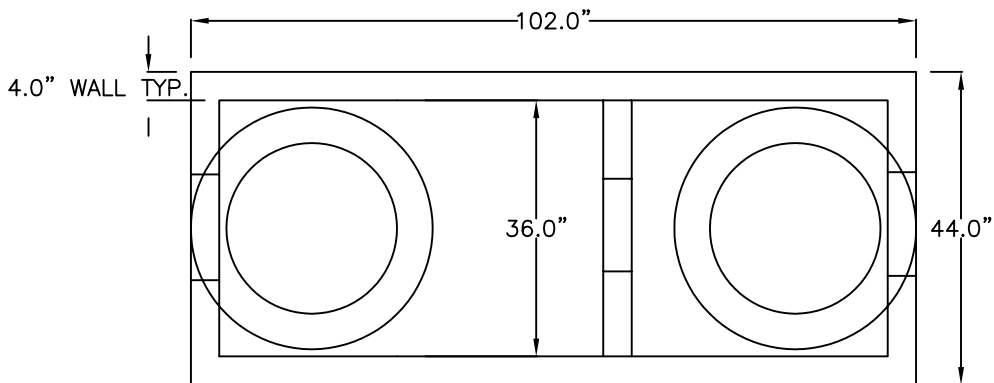
—Precast—



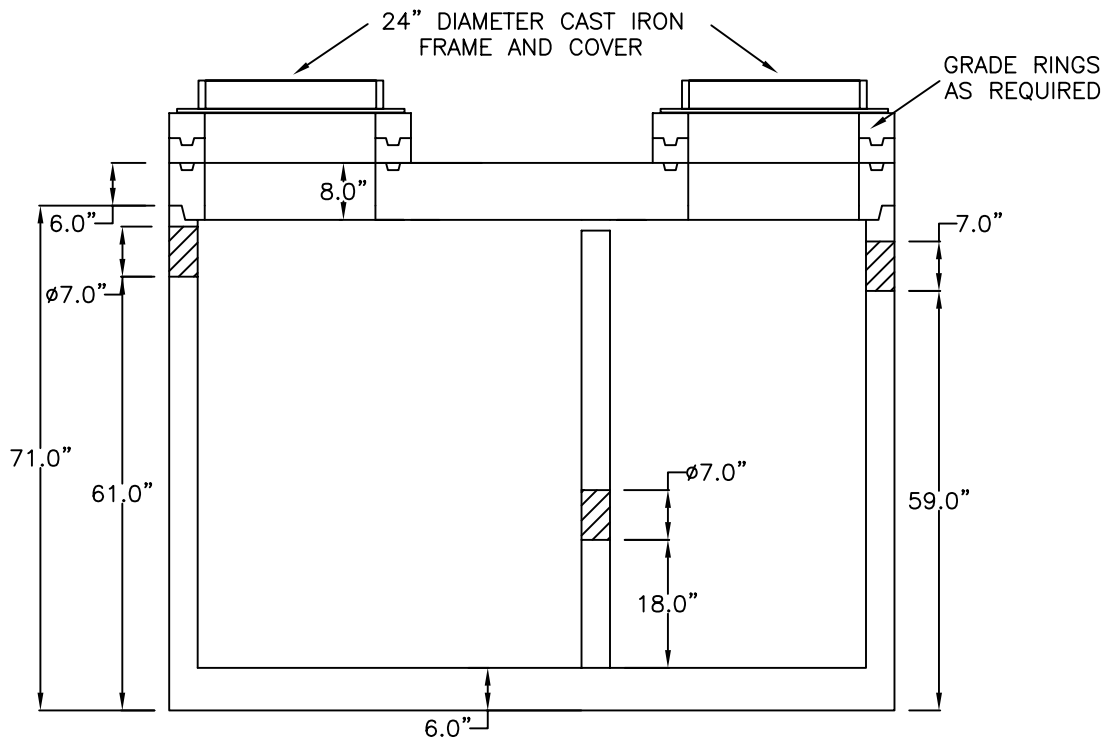
MANHOLE PIPE • DRAINAGE INLETS • STORM WATER/OIL INTERCEPTORS • UTILITY VAULTS & BOXES • CUSTOM PRECAST

(530) 243-2562  
FAX (530) 243-6881  
www.cookconcreteproducts.com  
e-mail:  
Info@cookconcreteproducts.com

5461 EASTSIDE ROAD  
P.O. BOX 720280  
REDDING, CA 96099



PLAN VIEW



PROFILE

- DESIGNED FOR HS - 20 HIGHWAY LOADING (0' to 8' COVER)
- INLET & OUTLET SIZED AND LOCATED AS REQUIRED

## 750 GALLON GREASE INTECEPTOR