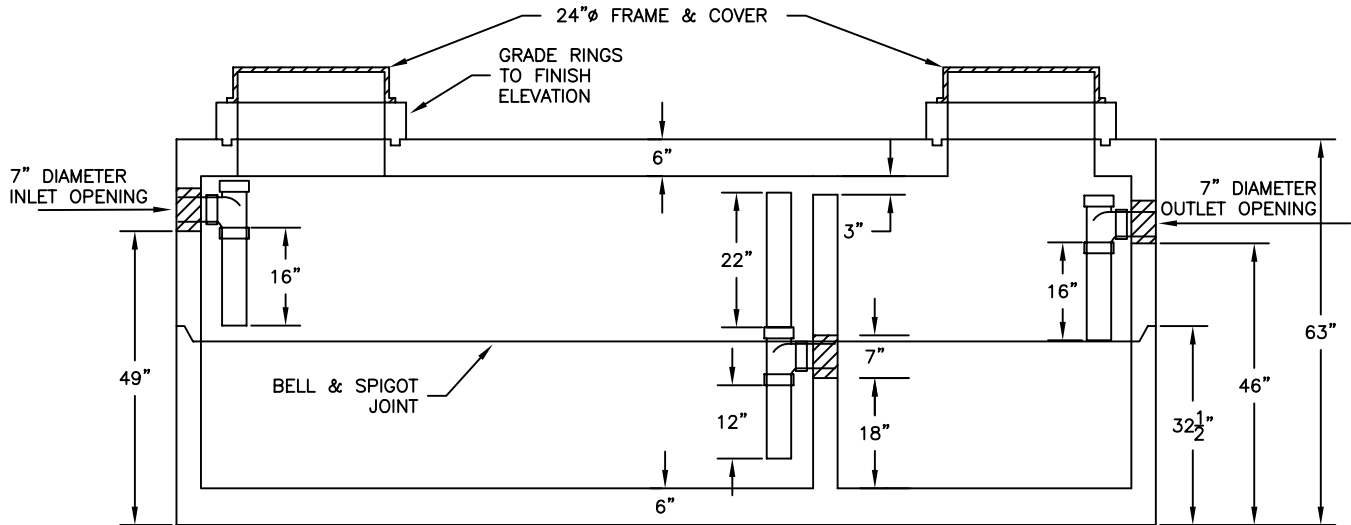
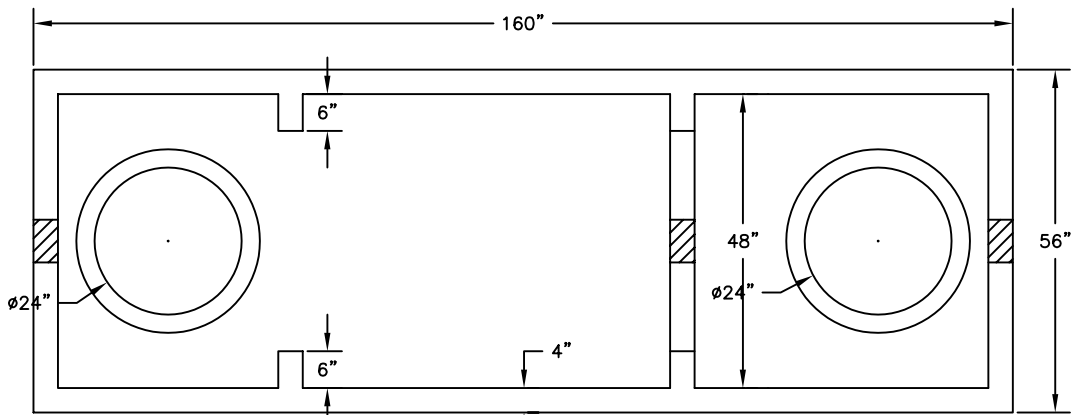


(530) 243-2562
 FAX (530) 243-6881
 www.cookconcreteproducts.com
 e-mail:
 Info@cookconcreteproducts.com

5461 EASTSIDE ROAD
 P.O. BOX 720280
 REDDING, CA 96099



SECTION VIEW



PLAN VIEW

NOTES:

- 1) DESIGNED FOR H-20 HIGHWAY LOADING.
- 2) PENETRATION SIZES AND LOCATIONS CAN BE PLACED AS REQUIRED.
- 3) WEIGHT PER SECTION: 8,950 LB.
- 4) 3 COMPARTMENT TANK AVAILABLE AS STORM WATER INTERCEPTOR.
- 5) OUTLET BOXES AVAILABLE, SEPARATE ITEM.
- 6) ALSO AVAILABLE IN 1500, 2000, 3000, 4000 AND 5000 GALLON CAPACITIES.