



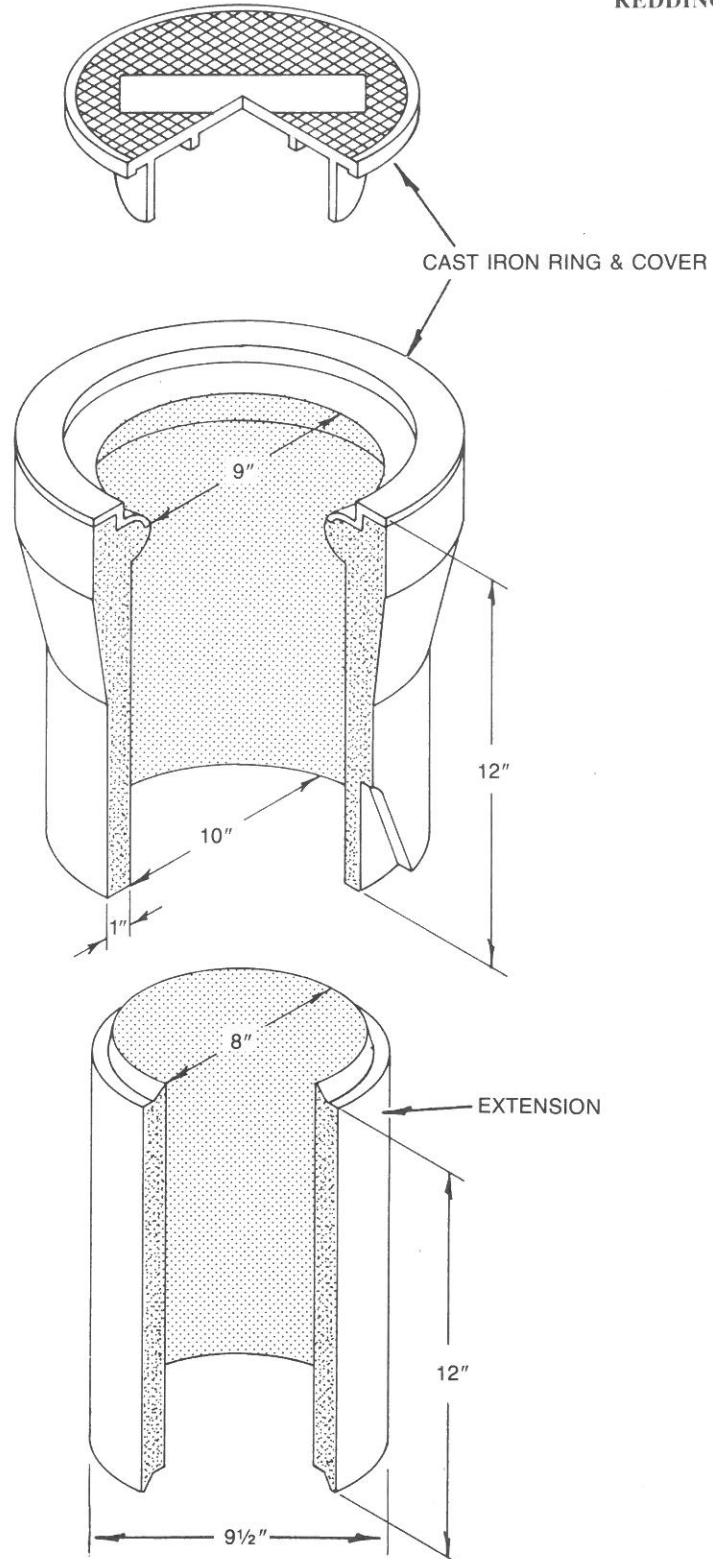
COOK CONCRETE PRODUCTS, INC.

—Precast—

MANHOLE PIPE • DRAINAGE INLETS • STORM WATER / OIL SEPARATORS • UTILITY VAULTS & BOXES • CUSTOM PRECAST

(530) 243-2562
FAX (530) 243-6881
www.cookconcreteproducts.com
e-mail: Info@cookconcreteproducts.com

5461 EASTSIDE ROAD
P. O. BOX 720280
REDDING, CA 96099



NOTES:

1. LIDS MARKED:
WATER, SEWER, CLEANOUT
2. FRAME AND COVER ARE
TRAFFIC RATED
3. BOX WEIGHT: 68#
4. LID WEIGHT: 6#
5. EXTENSION WEIGHT: 18#

10T12 VALVE BOX