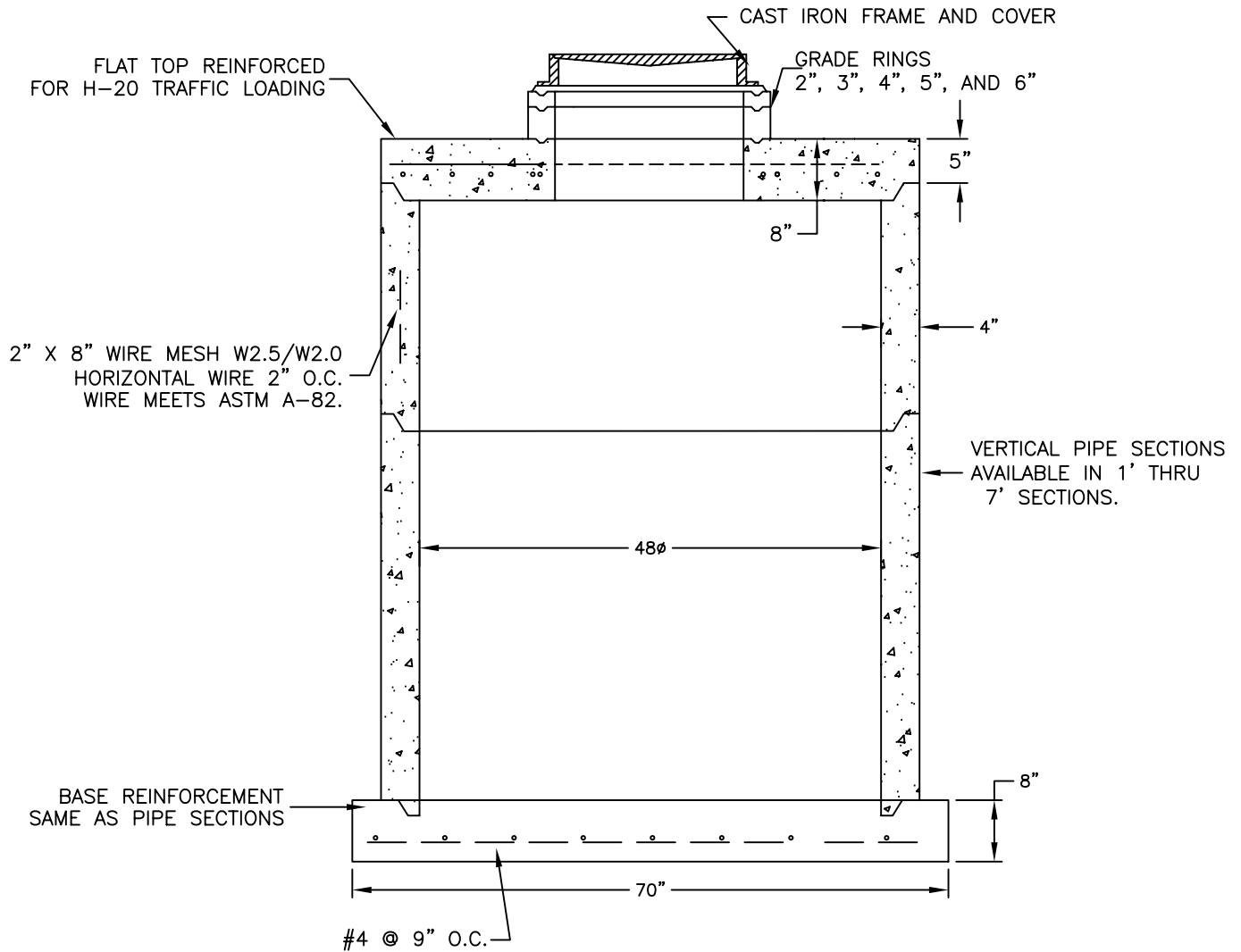


(530) 243-2562  
FAX (530) 243-6881  
www.cookconcreteproducts.com  
e-mail:  
Info@cookconcreteproducts.com

5461 EASTSIDE ROAD  
P.O. BOX 720280  
REDDING, CA 96099



NOTES:

- 1) MANUFACTURED TO MEET ASTM C-478.
- 2) STEPS AVAILABLE
- 3) ALL JOINTS TO BE SEALED WITH KENTS SEAL NO. 2 OR GROUT.

48" FLAT TOP MANHOLE W/SLAB BASE