

COOK CONCRETE PRODUCTS, INC.

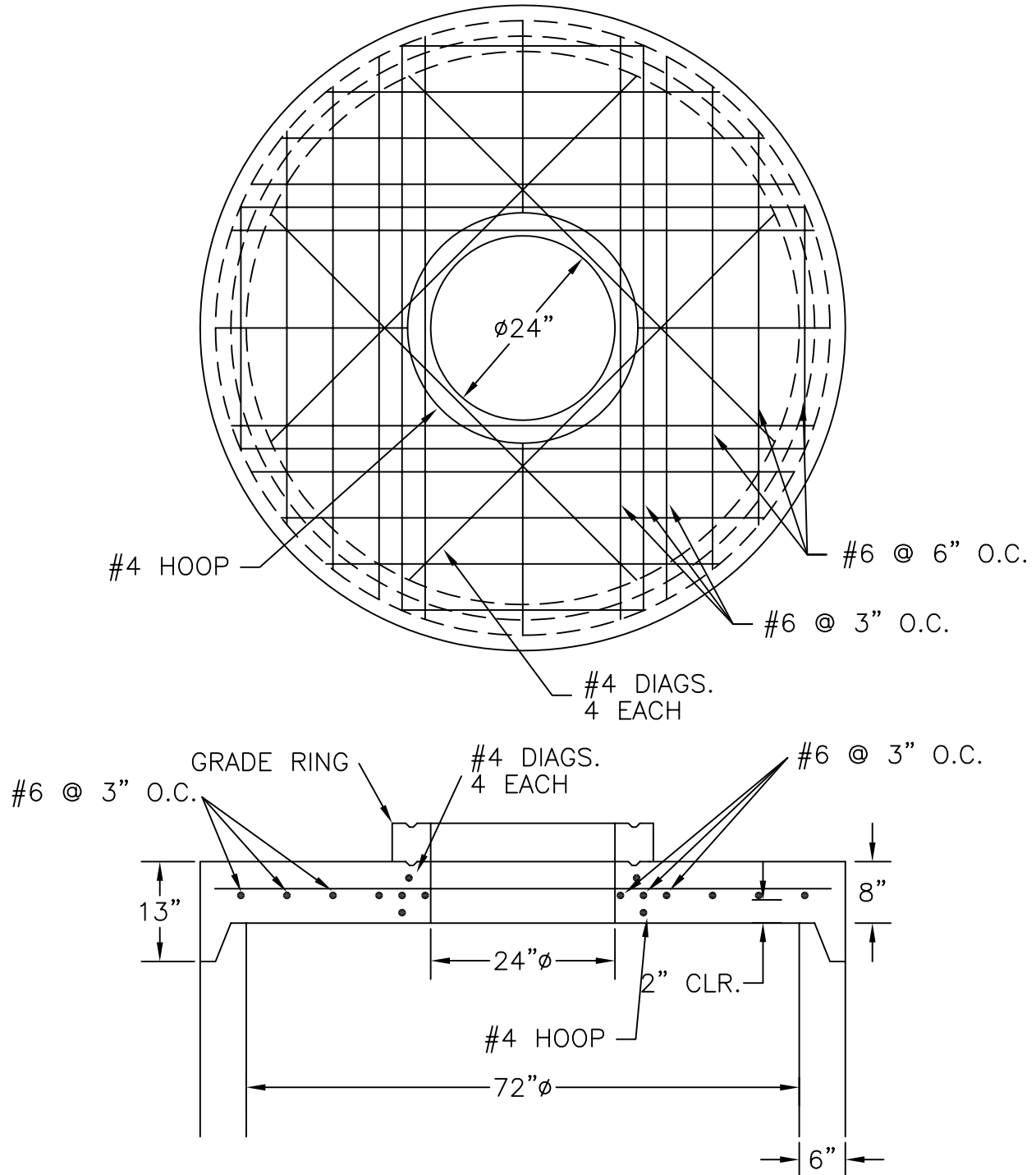
—Precast—



MANHOLE PIPE • DRAINAGE INLETS • STORM WATER/OIL INTERCEPTORS • UTILITY VAULTS & BOXES • CUSTOM PRECAST

(530) 243-2562
FAX (530) 243-6881
www.cookconcreteproducts.com
e-mail:
Info@cookconcreteproducts.com

5461 EASTSIDE ROAD
P.O. BOX 720280
REDDING, CA 96099



NOTES:

- 1) CONCRETE COMPRESSIVE STRENGTH 4000 PSI @ 28 DAYS.
- 2) REINFORCEMENT ASTM A706 WITH 60 KSI PSI TENSILE STRENGTH.

6'Ø FLAT MANHOLE COVER
(HS20)