

COOK CONCRETE PRODUCTS, INC.

—Precast—



MEMBER OF

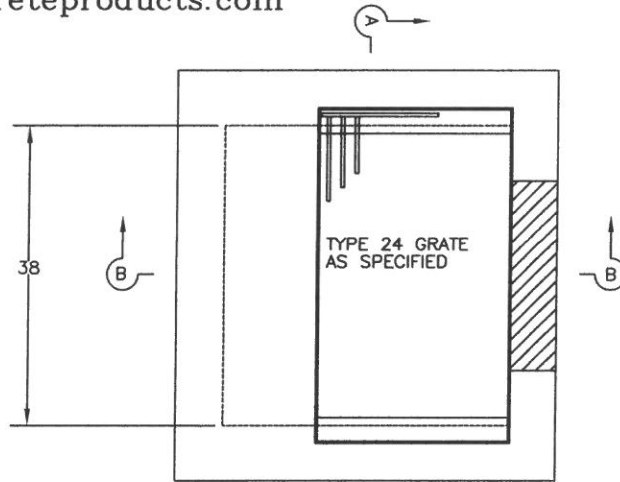
NPCA

Precast ...The Concrete

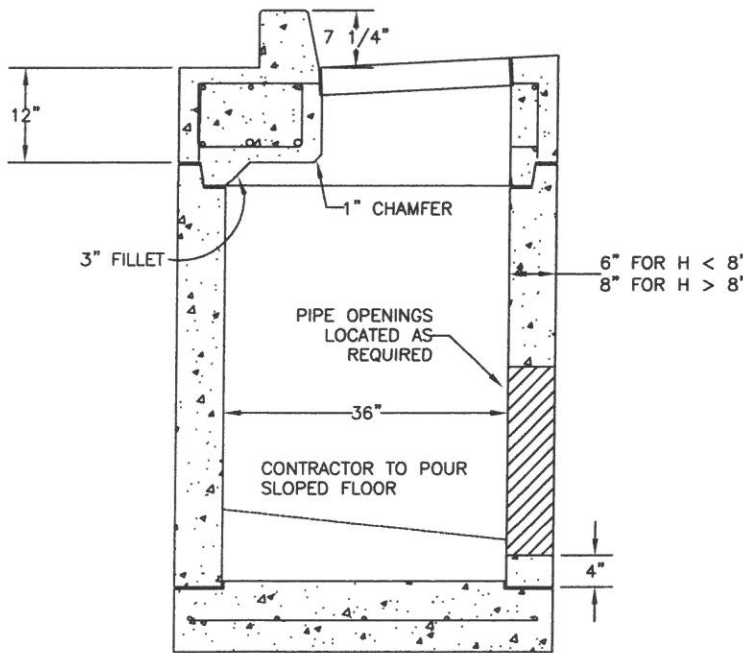
MANHOLE PIPE • DRAINAGE INLETS • STORM WATER/OIL INTERCEPTORS • UTILITY VAULTS & BOXES • CUSTOM PRECAST

(530) 243-2562
 FAX (530) 243-6881
 www.cookconcreteproducts.com
 e-mail: Info@cookconcreteproducts.com

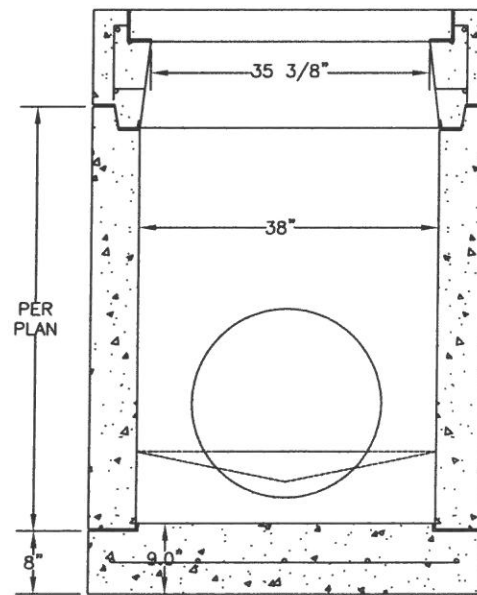
5461 EASTSIDE ROAD
 P.O. BOX 720280
 REDDING, CA 96099



PLAN VIEW



SECTION B-B



SECTION A-A

NOT TO SCALE

- NOTES:
1. UNITS ARE CUSTOM MADE FOR EACH JOB.
 2. OPENINGS SHALL BE SIZED FOR PIPE BEING USED.
 3. REINFORCEMENT PER CAL TRANS D73C, D73F & D73G

CALTRANS TYPE G4 INLET