

COOK CONCRETE PRODUCTS, INC.

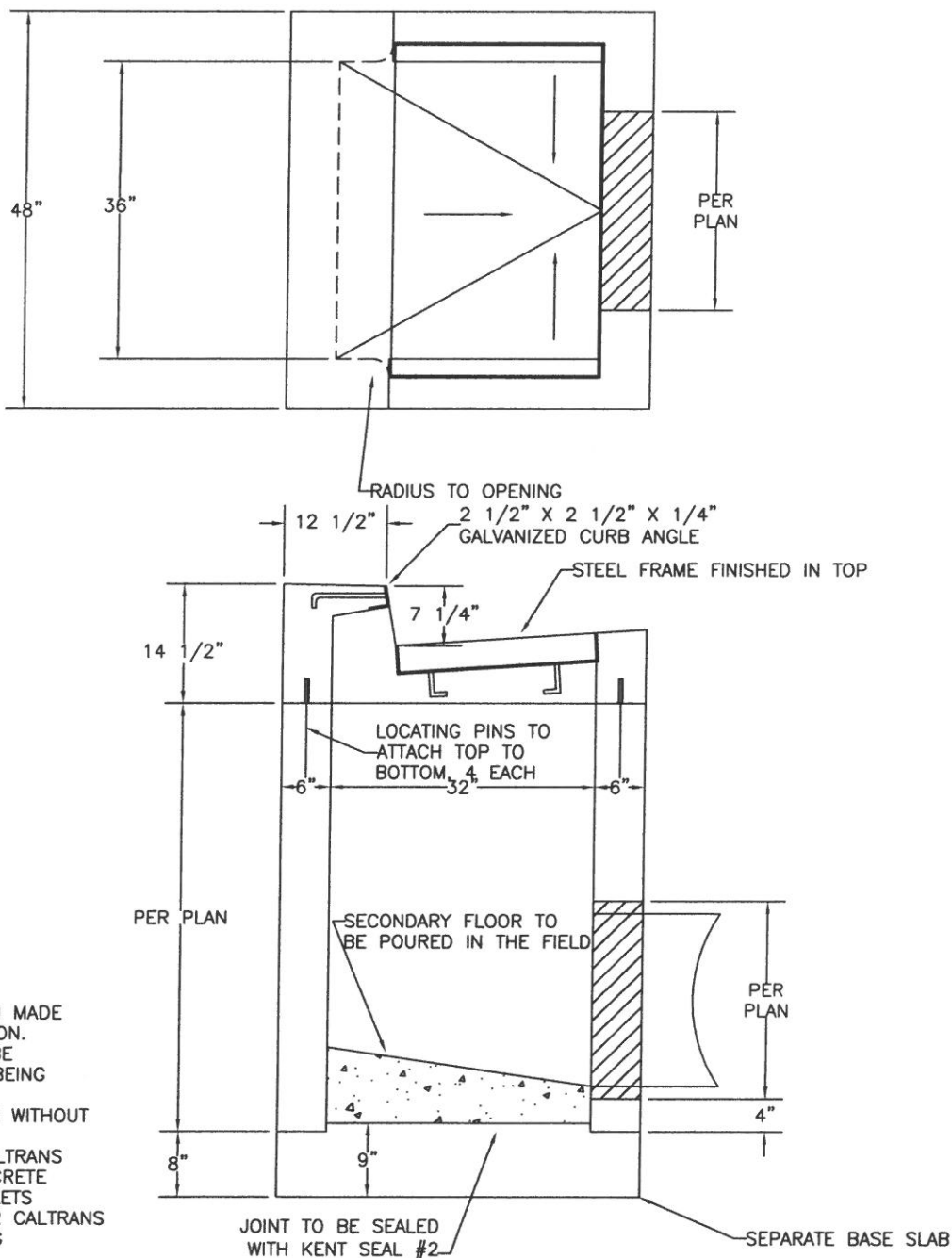
—Precast—



MANHOLE PIPE • DRAINAGE INLETS • STORM WATER/OIL INTERCEPTORS • UTILITY VAULTS & BOXES • CUSTOM PRECAST

(530) 243-2562
 FAX (530) 243-6881
 www.cookconcreteproducts.com
 e-mail: Info@cookconcreteproducts.com

5461 EASTSIDE ROAD
 P.O. BOX 720280
 REDDING, CA 96099



- NOTES:
1. UNITS ARE CUSTOM MADE FOR EACH LOCATION.
 2. OPENINGS SHALL BE SIZED FOR PIPE BEING USED.
 3. AVAILABLE WITH OR WITHOUT BOTTOM.
 4. CONCRETE PER CALTRANS STRUCTURAL CONCRETE FOR DRAINAGE INLETS
 5. REINFORCEMENT PER CALTRANS D73E, D73F, D73G

CALTRANS TYPE GO INLET

| |
|----------|
| CATALOG |
| DS |
| CALTRANS |