

COOK CONCRETE PRODUCTS, INC.

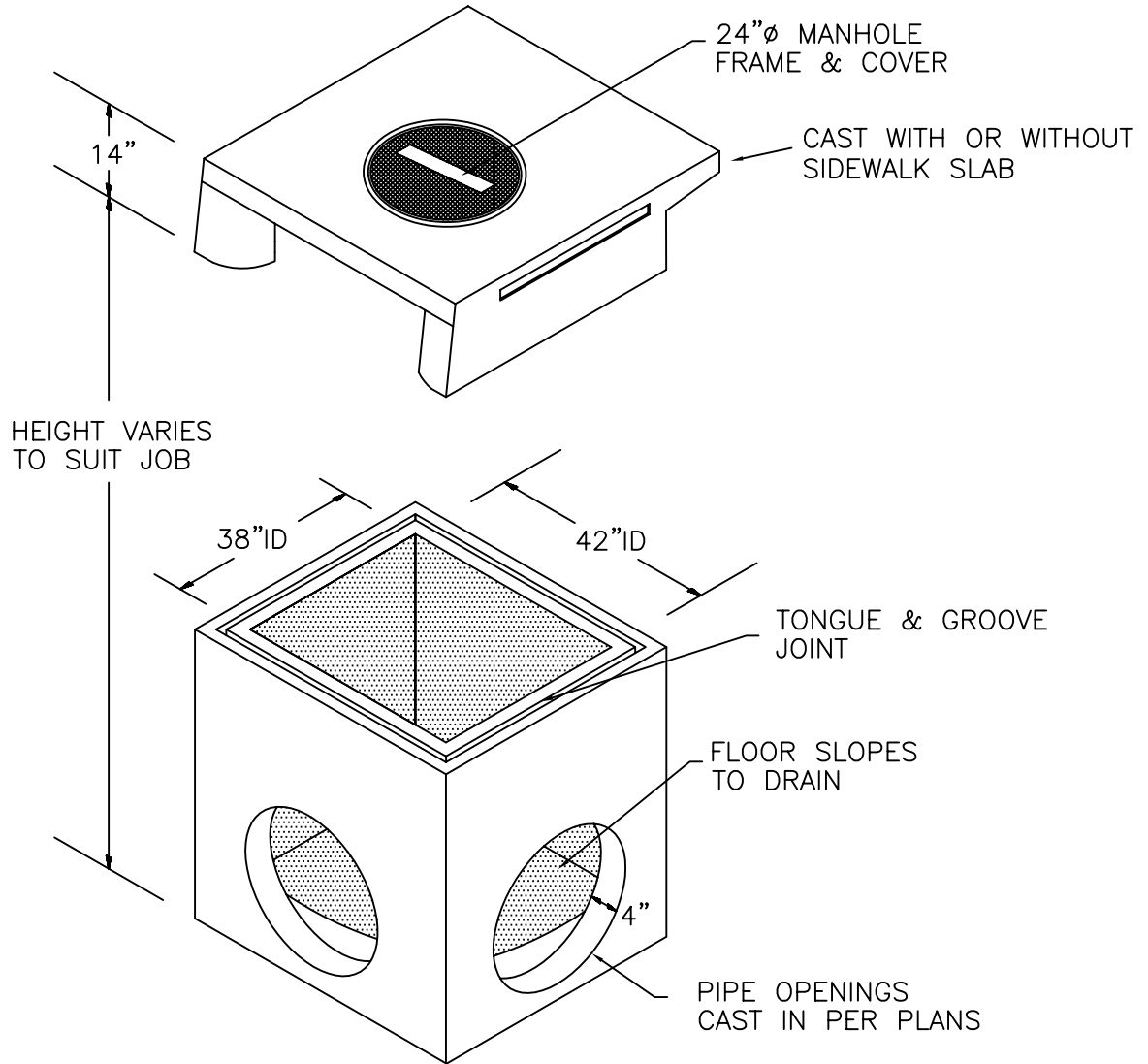
—Precast—



MANHOLE PIPE • DRAINAGE INLETS • STORM WATER/OIL INTERCEPTORS • UTILITY VAULTS & BOXES • CUSTOM PRECAST

(530) 243-2562
FAX (530) 243-6881
www.cookconcreteproducts.com
e-mail:
Info@cookconcreteproducts.com

5461 EASTSIDE ROAD
P.O. BOX 720280
REDDING, CA 96099



NOTES:

1. APPROVED BY CITY OF REDDING
2. AVAILABLE WITH OR WITHOUT BOTTOM
3. UNITS ARE CUSTOM MADE FOR EACH JOB
4. AVAILABLE AS A MODIFIED #3 WITH A WIDE MOUTH OPENING

C.O.R. # 3 CATCH BASIN