

COOK CONCRETE PRODUCTS, INC.

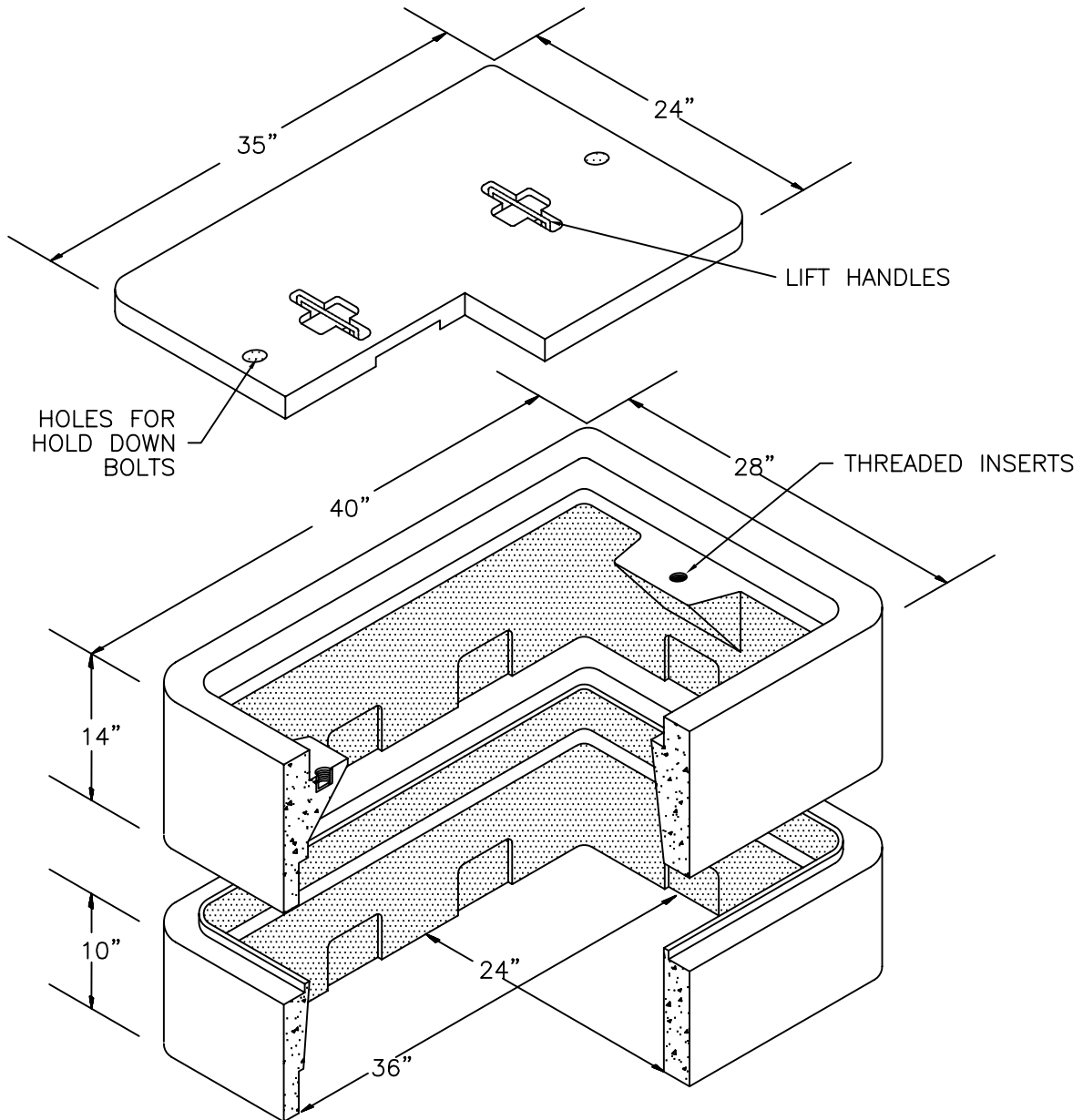
—Precast—



MANHOLE PIPE • DRAINAGE INLETS • STORM WATER/OIL INTERCEPTORS • UTILITY VAULTS & BOXES • CUSTOM PRECAST

(530) 243-2562
FAX (530) 243-6881
www.cookconcreteproducts.com
e-mail:
Info@cookconcreteproducts.com

5461 EASTSIDE ROAD
P.O. BOX 720280
REDDING, CA 96099



LIDS AVAILABLE:

1. CONCRETE
2. CONCRETE W/HINGED READING LID
3. STEEL- LIGHT TRAFFIC
4. AVAILABLE WITH OR WITHOUT HOLD DOWN BOLTS
5. H10 LOADING (10,400 LBS OVER 10" X10" AREA)
6. APPROVED BY C.O.R. FOR ELECTRIC

NOTES:

1. BOX WEIGHT: 238#
2. EXTENSION WEIGHT: 153#
3. CONCRETE LID WEIGHT: 110#
4. STEEL LID WEIGHT: 118#

#3.0 BOX