

# COOK CONCRETE PRODUCTS, INC.

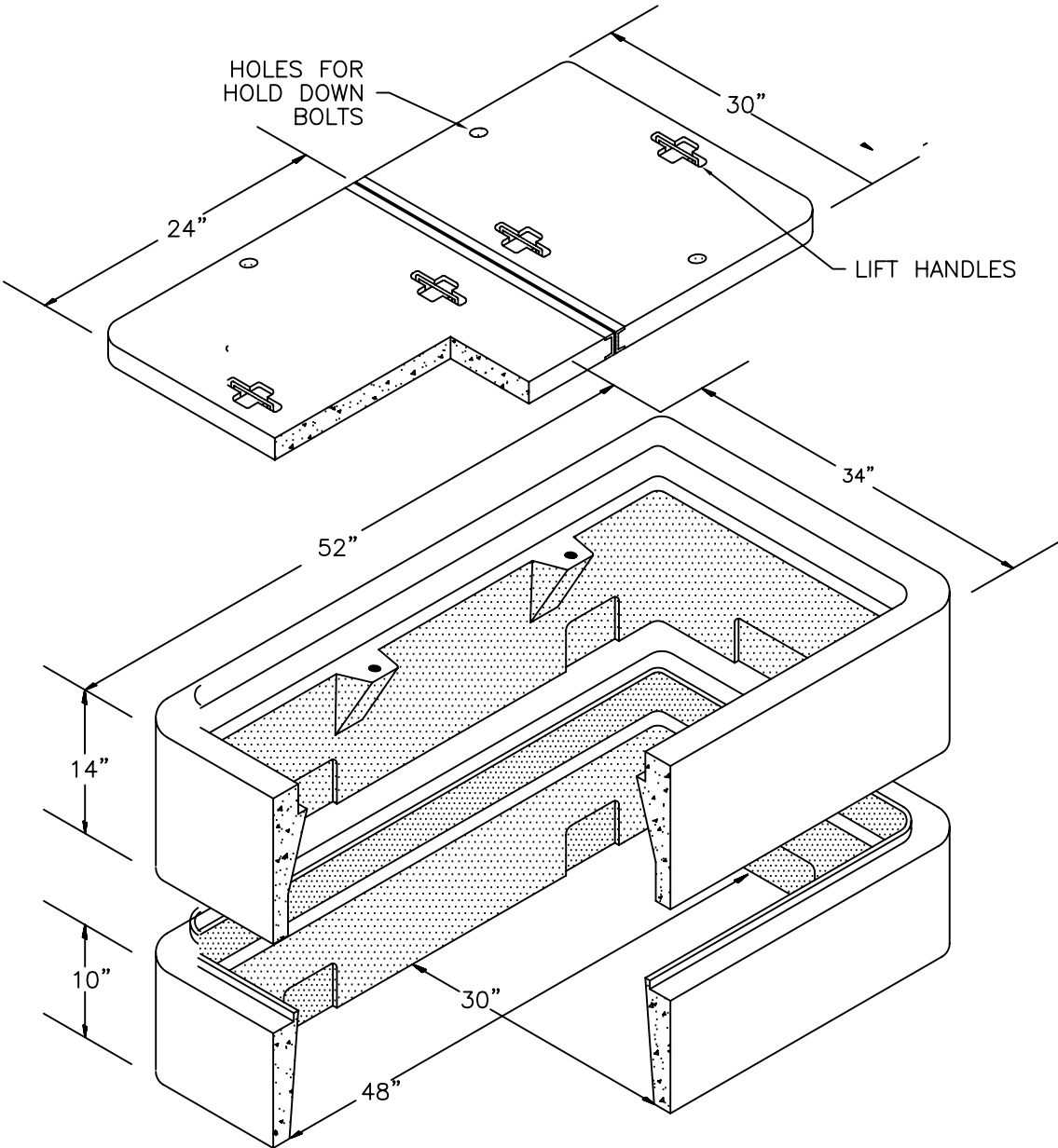
—Precast—



MANHOLE PIPE • DRAINAGE INLETS • STORM WATER/OIL INTERCEPTORS • UTILITY VAULTS & BOXES • CUSTOM PRECAST

(530) 243-2562  
FAX (530) 243-6881  
www.cookconcreteproducts.com  
e-mail:  
Info@cookconcreteproducts.com

5461 EASTSIDE ROAD  
P.O. BOX 720280  
REDDING, CA 96099



**LIDS AVAILABLE:**

- 1. CONCRETE
- 2. CONCRETE W/HINGED READING LID
- 3. STEEL- LIGHT TRAFFIC
- 4. AVAILABLE WITH OR WITHOUT HOLD DOWN BOLTS
- 5. H10 LOADING (10,400 LBS OVER 10" X10" AREA)
- 6. APPROVED BY C.O.R. FOR ELECTRIC

**NOTES:**

- 1. BOX WEIGHT: 335#
- 2. EXTENSION WEIGHT: 210#
- 3. CONCRETE LID WEIGHT: 136#/HALF
- 4. STEEL LID WEIGHT: 102#/HALF

## #4.0 BOX