

# COOK CONCRETE PRODUCTS, INC.

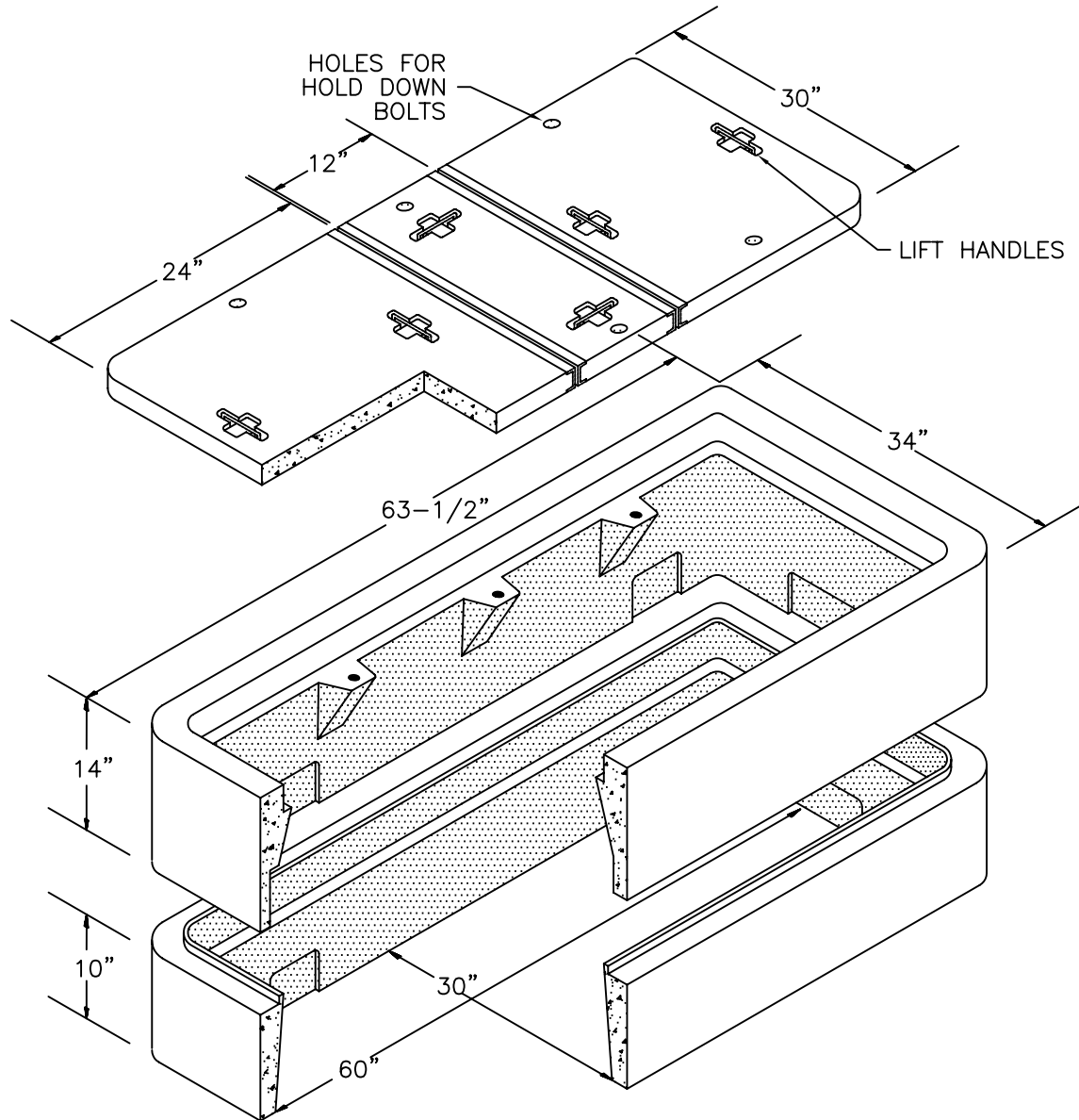
—Precast—



MANHOLE PIPE • DRAINAGE INLETS • STORM WATER/OIL INTERCEPTORS • UTILITY VAULTS & BOXES • CUSTOM PRECAST

(530) 243-2562  
FAX (530) 243-6881  
www.cookconcreteproducts.com  
e-mail:  
Info@cookconcreteproducts.com

5461 EASTSIDE ROAD  
P.O. BOX 720280  
REDDING, CA 96099



#### LIDS AVAILABLE:

1. CONCRETE
2. CONCRETE W/HINGED READING LID
3. STEEL- LIGHT TRAFFIC
4. AVAILABLE WITH OR WITHOUT HOLD DOWN BOLTS
5. H10 LOADING (10,400 LBS OVER 10" X10" AREA)
6. APPROVED BY C.O.R. FOR ELECTRIC

#### NOTES:

1. BOX WEIGHT: 370#
2. EXTENSION WEIGHT: 240#
3. CONCRETE LID WEIGHT:  
LARGE SECTION (each) 136#  
SMALL SECTION 40#
4. STEEL LID WEIGHT: 105#/HALF

**#5.0 BOX**