

COOK CONCRETE PRODUCTS, INC.

—Precast—



MEMBER OF

NPCA

Precast ... The Concrete Solution

MANHOLE PIPE • DRAINAGE INLETS • STORM WATER/OIL INTERCEPTORS • UTILITY VAULTS & BOXES • CUSTOM PRECAST

(530) 243-2562

FAX (530) 243-6881

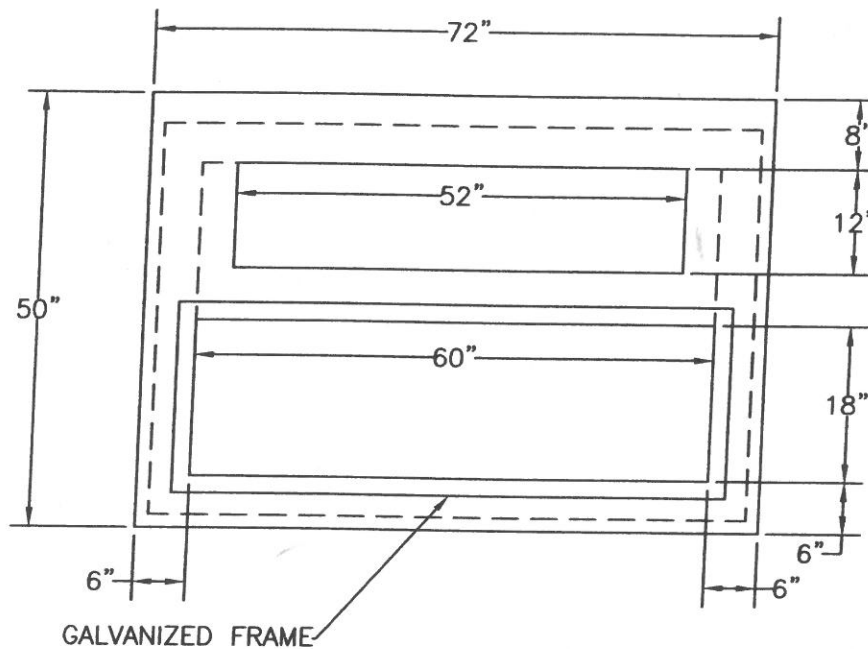
www.cookconcreteproducts.com

e-mail: Info@cookconcreteproducts.com

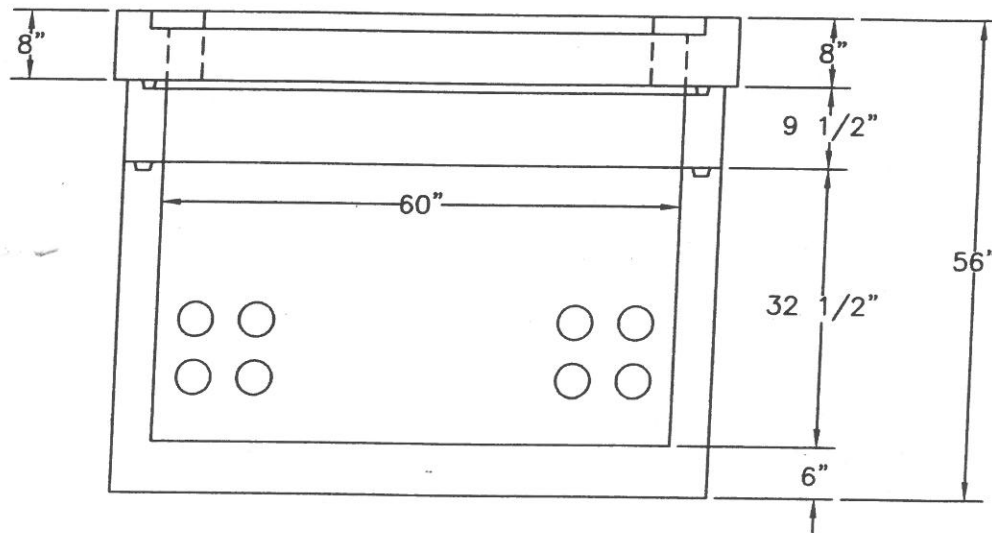
5461 EASTSIDE ROAD

P.O. BOX 720280

REDDING, CA 96099



PLAN VIEW



COR 3 X 5 VAULT