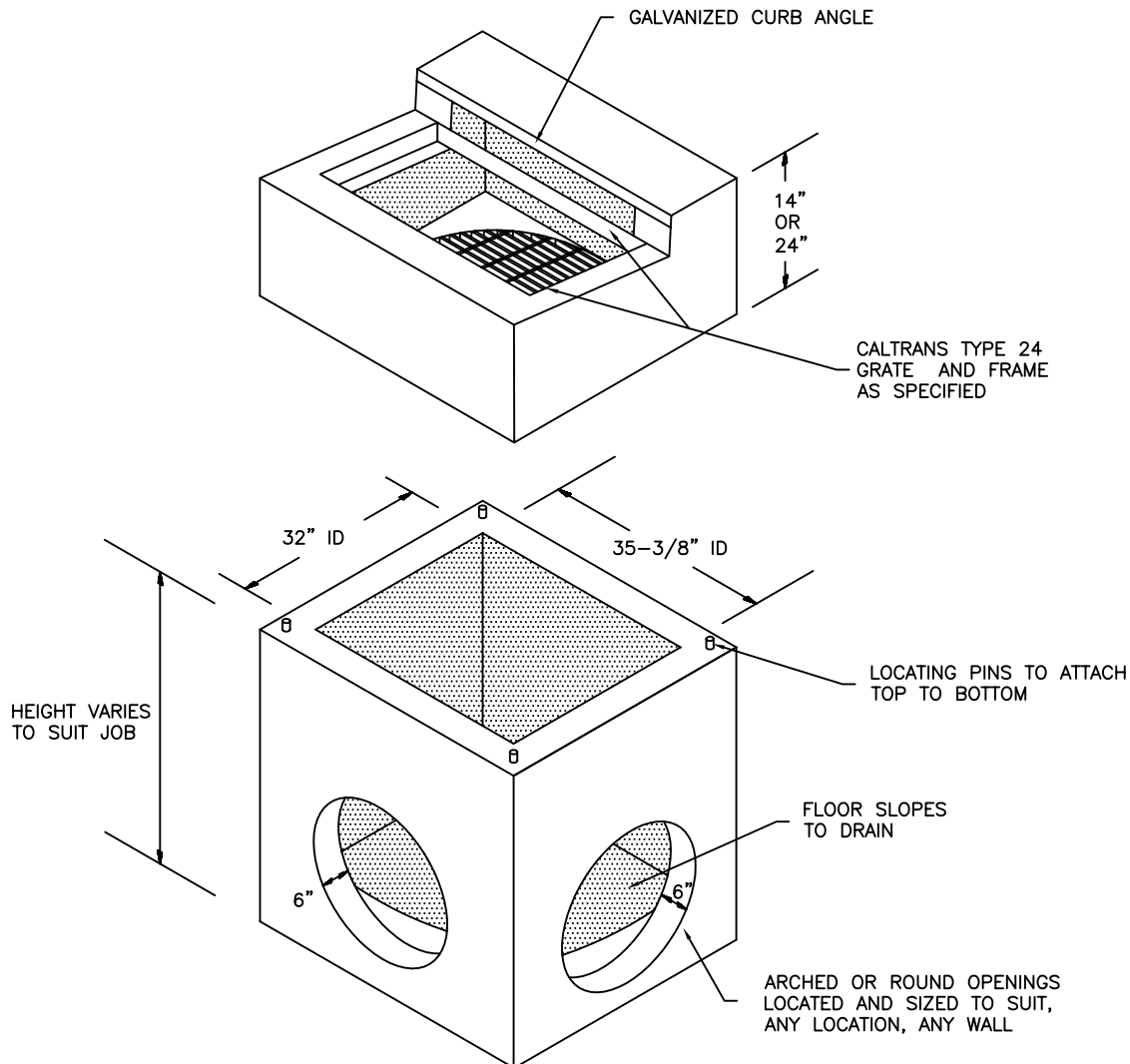


(530) 243-2562
FAX (530) 243-6881
www.cookconcreteproducts.com
e-mail:
Info@cookconcreteproducts.com

5461 EASTSIDE ROAD
P.O. BOX 720280
REDDING, CA 96099



NOTES:

1. UNITS ARE CUSTOM MADE FOR EACH JOB
2. AVAILABLE WITH OR WITHOUT BOTTOM
3. OPENINGS SHALL BE SIZED AND LOCATED PER PLAN
4. WEIGHT WITHOUT BASE 988LBS./FT
5. AVAILABLE WITH 8" WALLS
6. REINFORCING: VERT. #4@12" / HORZ. #4@10"

APPROVED BY:
CALTRANS
BUTTE COUNTY
CITY OF CHICO

TYPE S-7
DRAINAGE INLET